

Louvrechair



Kian[®]

BETTER DESIGN • BETTER VALUE • BETTER WORLD



Louvre chair



design DANNY FANG



Inspired by the American Midwestern style and Shaker craftsmanship, the Louvre chair is a lightweight chair with an open backrest. It reinterprets the design of traditional wooden chairs and utilises the quality of modern plastic injection moulding technology.

It is a no-nonsense design that is enjoyable and familiar to the user, and at the same time, modern and fun.

The Louvre Chair is stackable and can be used indoors and outdoors.

Made from 100% Ocean - Bound Plastic (OBP).



Louvrechair



design DANNY FANG

MADE FROM
100%
OCEAN
BOUND
PLASTIC



design DANNY FANG

Louvrechair

DESIGN DANNY FANG

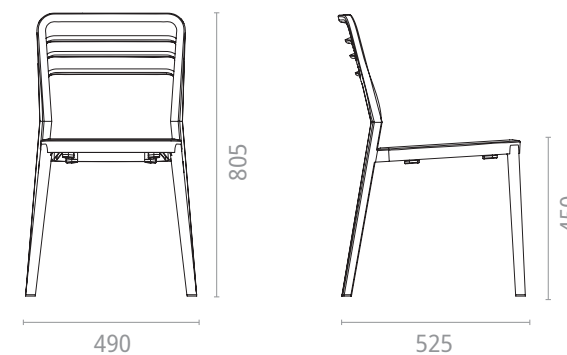
DIMENSION

W490 x D525 x H805 x SH450mm

PACKING

0.270m3, 4pcs/ctn, 912pcs/40HQ

STACKABLE



COLOURS



WHITE SAND (OP2)



MOSS (OP4)



ONYX (OP3)

CHAIR PATENT

201230269983.0

MATERIAL

Ocean - bound plastic

AWARDS

Design for Asia Award
Malaysia Good Design Mark



design DANNY FANG





Kian®

www.kian.com

All renderings and photographs, artist's impressions, plans, measurements and colour representations are intended for illustrative and informative purposes only.

They cannot be regarded as representations of fact and are subject to change at any time. Actual finishes and details may vary. No reproduction or republication of this copyrighted catalogue and/or its concept is permitted, whether in whole or in part.

Copyright © 2023-2024 KIAN Group of Companies
All Rights Reserved